

**PLEASE CHECK WWW.MOLEX.COM FOR LATEST PART INFORMATION**

**Part Number:** [0197054203](#)  
**Status:** **Active**  
**Description:** PCB Tab Quick Disconnect, Male, for Wire, Metal Strip, Tab 6.35mm (.250") x 0.81mm (.032")

**Documents:**

[Drawing \(PDF\)](#) [RoHS Certificate of Compliance \(PDF\)](#)  
[Product Specification PS-19902-010 \(PDF\)](#)

**Agency Certification**

UL E79133

**General**

Product Family Quick Disconnects  
 Series [19705](#)  
 Comments Tab Support  
 Crimp Quality Equipment Yes  
 Product Name PCB Tab  
 Type Quick Disconnect

**Physical**

Barrel Type Closed  
 Gender Male  
 Glow-Wire Compliant No  
 Insulation None  
 Lock to Mating Part None  
 Material - Metal Brass  
 Material - Plating Mating Tin  
 Material - Plating Termination Tin  
 Orientation PCB Straight Tab  
 Packaging Type Reel  
 Plating min: Mating (µin) 150  
 Plating min: Mating (µm) 3.81  
 Plating min: Termination (µin) 150  
 Plating min: Termination (µm) 3.81  
 Polarized to Mating Part No  
 Tab Thickness 0.81mm (.032")  
 Tab Width 6.35mm (.250")  
 Wire Insulation Diameter N/A  
 Wire Size AWG N/A

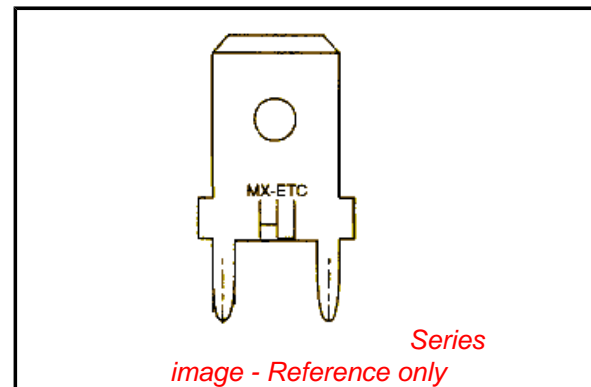
**Electrical**

Voltage - Maximum N/A

**Material Info**

**Reference - Drawing Numbers**

Product Specification PS-19902-010  
 Sales Drawing SD-19705-400



**EU RoHS**

**ELV and RoHS  
Compliant**  
**REACH SVHC  
Contains SVHC: No**  
**Halogen-Free  
Status**

**China RoHS**



**Need more information on product  
environmental compliance?**

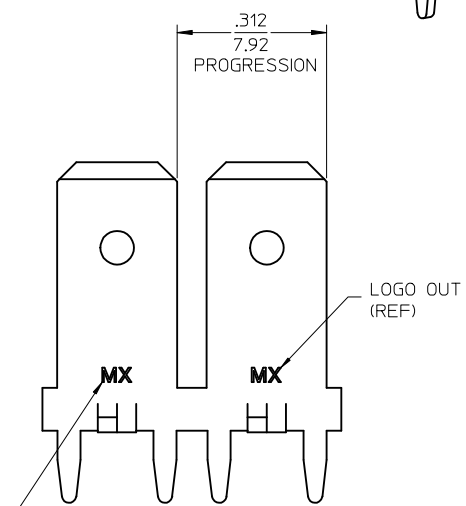
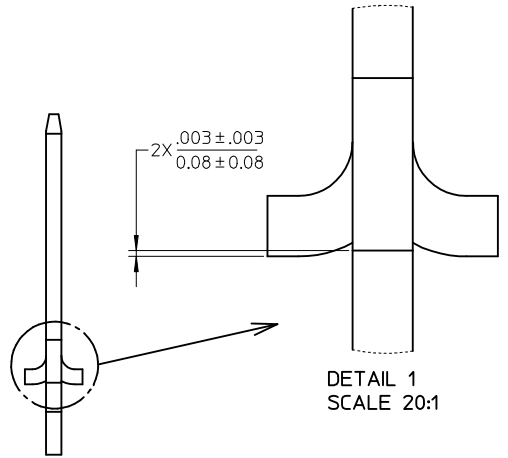
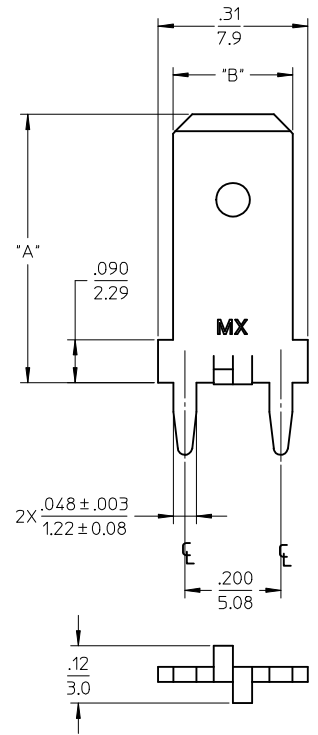
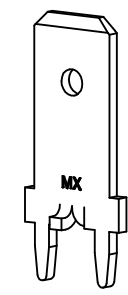
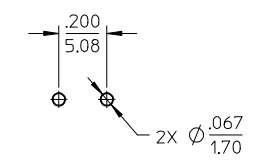
Email [productcompliance@molex.com](mailto:productcompliance@molex.com)  
 For a multiple part number RoHS Certificate of Compliance, [click here](#)

Please visit the [Contact Us](#) section for any non-product compliance questions.

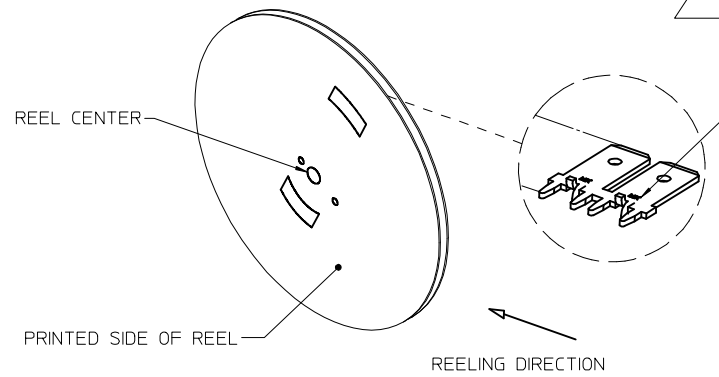
**Search Parts in this Series**  
[19705Series](#)

MATERIAL NUMBER	ENGINEERING NUMBER	CARRIER	LOGO ORIENTATION	DIMENSION "A"	DIMENSION "B"	MIN. PARTS PER REEL
197054003	19705-4003	STRIP	IN	.560/14.22	.250/6.35	5,000
197054103	19705-4103	STRIP	IN	.560/14.22	.187/4.75	
197054105	19705-4105	STRIP	OUT	.560/14.22		
197054203	19705-4203	STRIP	IN	.405/10.29	.250/6.35	10,000
197054204	19705-4204	STRIP	OUT	.405/10.29		
197054001	19705-4001	LOOSE	-	.560/14.22	.250/6.35	
197054101	19705-4101	LOOSE	-	.560/14.22	.187/4.75	-
197054201	19705-4201	LOOSE	-	.405/10.29	.250/6.35	-

RECOMMENDED PCB HOLE LAYOUT



LOGO OPTIONS: MX, ETC, MX-ETC, OR MXN  
MAY ALSO BE UPSIDE-DOWN FOR DIE IDENTIFICATION PURPOSES



- NOTES:
1. BARE EDGES PERMISSIBLE AT CARRIER CUT OFF.
  2. MATERIAL: BRASS C26000 (.032/0.81) THICK.
  3. TAB CONFORMS TO NEMA SPECIFICATIONS.
  4. ALL DIMENSIONS AND NOTES REFERENCE UNLESS OTHERWISE NOTED.
  5. PLATING: MATTE TIN OVER NICKEL 150μ IN/3.81 μ mm MINIMUM THICKNESS OVER NICKEL 50μ IN/1.25μ mm MINIMUM THICKNESS.
  6. 24" DIAMETER REEL WITH A 1.25" DIAMETER CENTER HOLE.
  7. PART IS RoHS COMPLIANT

<b>LOGO CLARIFIED</b> IEC NO: WNA2009-0488 DRW: WTHRODAHL 2009/02/10 CHKD: JMACNEIL 2009/02/12 APPR: JMACNEIL 2009/02/12	QUALITY SYMBOLS	GENERAL TOLERANCES (UNLESS SPECIFIED)	DIMENSION STYLE	SCALE	DESIGN UNITS	THIRD ANGLE PROJECTION																		
	$\nabla=0$ $\nabla=0$	<table border="1"> <tr><th>mm</th><th>INCH</th></tr> <tr><td>4 PLACES ± ---</td><td>± ---</td></tr> <tr><td>3 PLACES ± ---</td><td>± .005</td></tr> <tr><td>2 PLACES ± 0.13</td><td>± .01</td></tr> <tr><td>1 PLACE ± 0.25</td><td>± ---</td></tr> </table>	mm	INCH	4 PLACES ± ---	± ---	3 PLACES ± ---	± .005	2 PLACES ± 0.13	± .01	1 PLACE ± 0.25	± ---	<table border="1"> <tr><th>IN/MM</th><th>DATE</th></tr> <tr><td>DRAWN BY EDB</td><td>11/08/96</td></tr> <tr><td>CHECKED BY JH</td><td>11/08/96</td></tr> <tr><td>APPROVED BY RWD</td><td>11/08/96</td></tr> </table>	IN/MM	DATE	DRAWN BY EDB	11/08/96	CHECKED BY JH	11/08/96	APPROVED BY RWD	11/08/96	5:1	INCH	
	mm	INCH																						
	4 PLACES ± ---	± ---																						
3 PLACES ± ---	± .005																							
2 PLACES ± 0.13	± .01																							
1 PLACE ± 0.25	± ---																							
IN/MM	DATE																							
DRAWN BY EDB	11/08/96																							
CHECKED BY JH	11/08/96																							
APPROVED BY RWD	11/08/96																							
MATERIAL NO. SEE CHART SIZE C	DRAFT WHERE APPLICABLE MUST REMAIN WITHIN DIMENSIONS	MATERIAL NO. SEE CHART SIZE C	MOLEX INCORPORATED DOCUMENT NO. SD-19705-400	SHEET NO. 1 OF 1																				

THIS DRAWING CONTAINS INFORMATION THAT IS PROPRIETARY TO MOLEX INCORPORATED AND SHOULD NOT BE USED WITHOUT WRITTEN PERMISSION